



Buy it for looks. Buy it for life.®

There is more than 1 version of this model.
Page down to identify the version you have.

FAUCET DESCRIPTION

- Metal construction with either chrome plated, ivory, decorative glacier or brushed chrome finish
- 1/2" IPS connections will accept standard ball hose connection for 3/8" tubing
- Includes Protégé side spray

OPERATION

- Lever style handle
- Temperature controlled by 180° arc of handle travel
- Will operate with less than 5lbs. of force

FLOW

- Aerator is limited to 2.2 gpm max (8.3 L/min)

CARTRIDGE

- 1225 cartridge design (not 1200)
- Nonmetallic/nonferrous and stainless steel material

STANDARDS

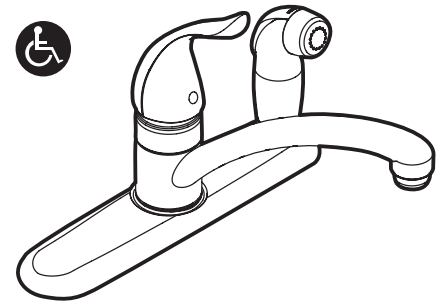
- Designed and manufactured to comply with the requirements of: CSA B-125, ASME A112.18.1M, ANSI A117.1 and all applicable requirements referenced therein
- Certified to ANSI/NSF 61/9
- Complies with California Proposition 65 and with the Federal Safe Water Drinking Act

WARRANTY

- Lifetime limited warranty against leaks, drips and finish defects to the original consumer purchaser
- 5 year warranty if used in commercial installations

Specifications

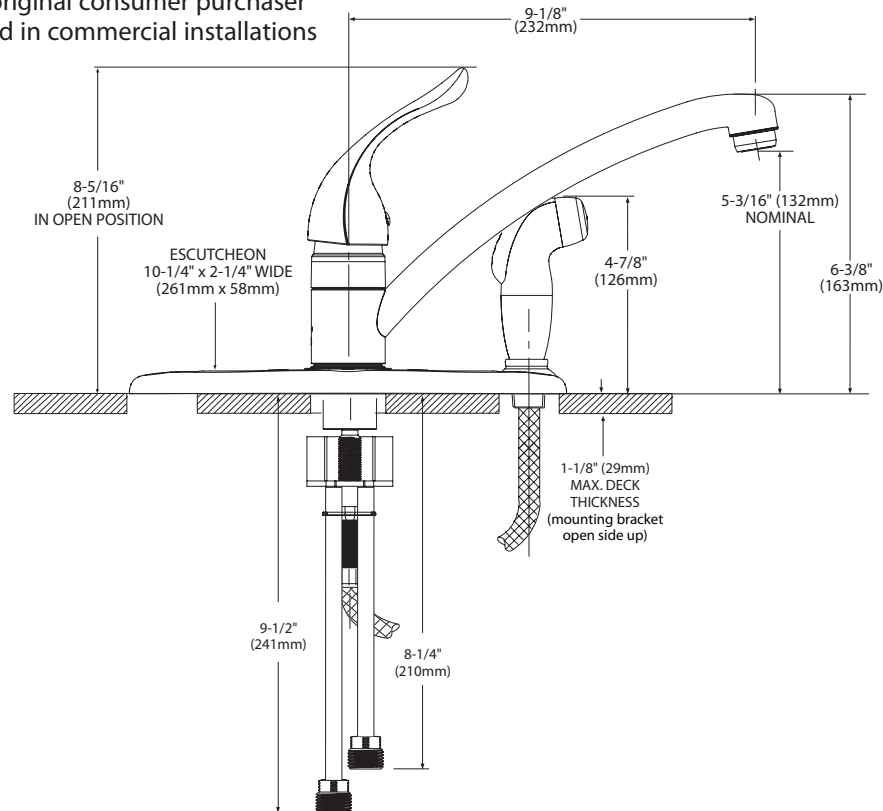
ADA



CHATEAU®
Single-Handle Kitchen Faucet
w/Protégé Side Spray in Deck Plate
Models: 7434, 7434BC, 7434V, 7434W

Bulk Model: 67434
(bulk packed 12 per carton)

NOTE: DESIGNED TO INSTALL THROUGH 3 HOLES 1-1/4" (32mm) MIN. DIA. AND 4" (102mm) ON CENTER.



CRITICAL DIMENSIONS

(DO NOT SCALE)



Buy it for looks. Buy it for life.®

Specifications

FAUCET DESCRIPTION

- Metal construction with either chrome plated, decorative glacier, brushed platinum, ivory or sand finishes
- 1/2" IPS connections will accept standard ball hose connection for 3/8" tubing
- Includes Protégé side spray

OPERATION

- Lever style handle
- Temperature controlled by 180° arc of handle travel
- Will operate with less than 5lbs. of force

FLOW

- Aerator is limited to 2.2 gpm max (8.3 L/min)

CARTRIDGE

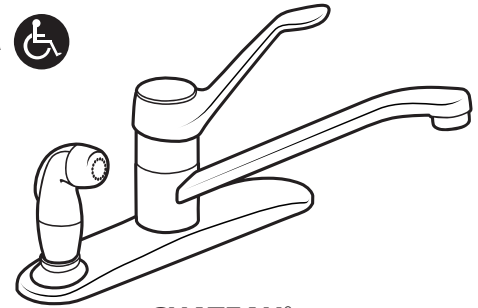
- 1225 cartridge design (not 1200)
- Nonmetallic/nonferrous and stainless steel material

STANDARDS

- Designed and manufactured to comply with the requirements of: CSA B-125, ASME A112.18.1M, and all applicable requirements referenced therein and complies with the applicable requirements of ANSI A117.1.
- Certified to ANSI/NSF 61/9
- Complies with California Proposition 65 and with the Federal Safe Water Drinking Act

WARRANTY

- Lifetime limited warranty against leaks, drips and finish defects to the original consumer purchaser
- 5 year warranty if used in commercial installations



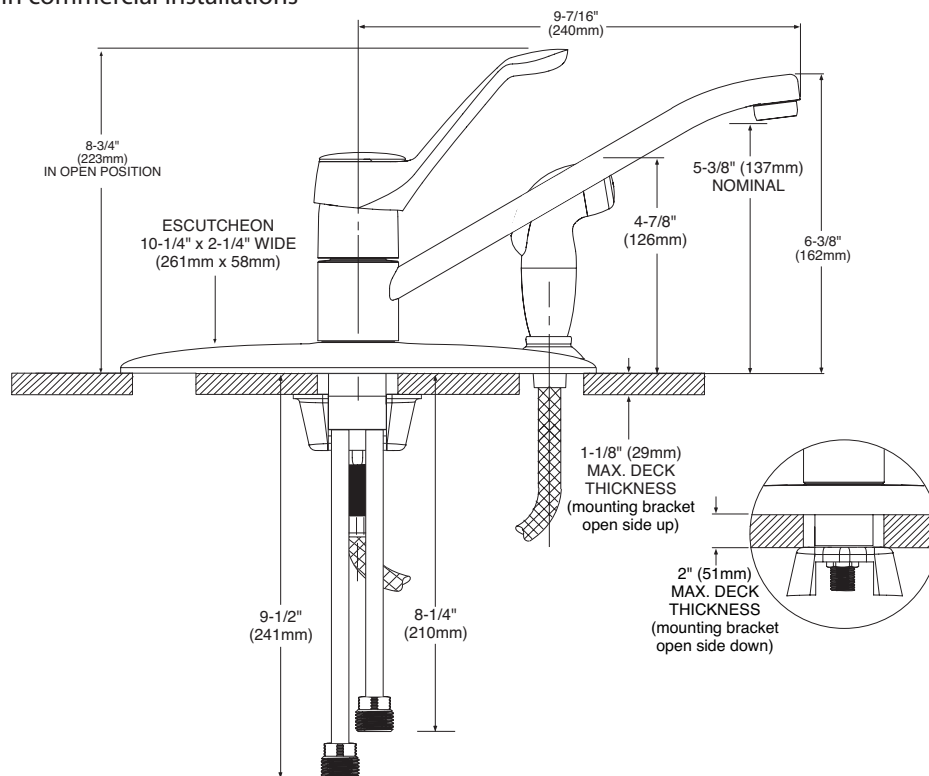
CHATEAU®

Single-Handle Kitchen Faucet w/Protégé Side Spray in Deck Plate

Models: 7434, 7434S, 7434SLP, 7434V, 7434W, 87434, 87434W, 87434SLP

Bulk Model: 67434
(bulk packed 12 per carton)

NOTE: DESIGNED TO INSTALL THROUGH 3 HOLES 1-1/4" (32mm) MIN. DIA. AND 4" (102mm) ON CENTER.



CRITICAL DIMENSIONS

(DO NOT SCALE)

FOR MORE INFORMATION CALL: 1-800-BUY-MOEN

www.moen.com