



137-160



Alto™ SmartHeight™

Elongated Front, Vitreous China, SmartHeight™ Two-Piece Toilet

Features

- Elevated bowl height – 2-1/8" Taller Than Standard Bowls
- 1.6 Gpf / 6.0 Lpf
- Two Inch Fully Glazed Trapway
- 12" Rough-in
- Large 9-1/8" x 10-3/4" Water Surface
- Superior Boxed Rim, Siphon Jet SmartFlush™ Flushing Technology
- Outstanding Protection - The Mansfield® Limited Lifetime Warranty
- Available in White, Standard, Premium and Designer Colors (Consult Price Book for Specific Colors).
- Complies with ADA Requirements for Accessibility Height
- Model 40 Chrome Plated, Plastic Trip Lever (Consult Price Book for Additional Finishes)
- Upgrade with a Color-matched SmartClose™ or Primo™ Toilet Seat



Model 137-160
Shown in Bone with
SB1200 Primo™ Toilet Seat

Model Numbers

Order No.	Description	Approx. Wt.
137-160	SmartHeight™, elongated front (1.6 Gpf/6.0 Lpf) two-piece toilet. 12" rough-in. Includes tank trim and chrome plated plastic trip lever. Less toilet seat and supply. Specify color. ADA compliant.	78 lbs. (35 kg)
137	SmartHeight™, elongated toilet bowl only. 12" Rough-in. Less toilet seat. Specify color.	47 lbs. (21.1 kg)
160	Tank and cover only with left hand, chrome plated, plastic trip lever. Less supply. Specify color.	31 lbs. (13.9 kg)
125	Same as model 160, except with 14" Rough-in.	33 lbs. (14.9 kg)
125	Same as model 160, except with 14" Rough-in and color-matched trip lever. Specify color.	33 lbs. (14.9 kg)
159	Same as model 160, except with chrome plated metal trip lever.	31 lbs. (13.9 kg)
160RH	Same as model 160, except with right hand trip lever.	31 lbs. (13.9 kg)
161	Same as model 160, except with Fluidmaster 400A ballcock.	31 lbs. (13.9 kg)
165	Same as model 160, except with cover lock.	31 lbs. (13.9 kg)
170	Same as model 160, except with tank liner.	31 lbs. (13.9 kg)
171	Same as model 161, except with tank liner	31 lbs. (13.9 kg)
175	Same as model 160, except with cover lock and tank liner.	31 lbs. (13.9 kg)
180	Same as model 160, except with color-matched trip lever.	31 lbs. (13.9 kg)
190	Same as model 160, except with color-matched trip lever and tank liner.	31 lbs. (13.9 kg)
SB1175	Elongated, SmartClose™ toilet seat.	5.5 lbs. (2 kg)
SB1200	Elongated, Primo™ toilet seat.	5.5 lbs. (2 kg)



Smartflush
Total Confidence Flushing System

SmartHeight™



137-160

Alto™ Smart Height™

Elongated Front, Vitreous China, SmartHeight™ Two-Piece Toilet

Features and Upgrades

Three-Point Cushioned Tank-to-Bowl Connection

This assures perfect tank alignment in every direction. It permits fast, accurate, leakproof tank-to-bowl connections. Protects against tank breakage. . . can't be rocked loose. . . saves installation time. Furnished with brass nuts and bolts.



88 Anti-Siphon Ballcock

The 88 anti-siphon ballcock affords efficient toilet tank operation at high or low pressures. Adjustment screw allows water level adjustment without bending the float rod. Completely non-electrolytic and non-corrosive.



211 Flush Valve

The 211 flush valve provides 1.6 gpf – 6.0 Lpf water conservation efficiency with non-corrosive, long-life dependability. It seals tight every time. Won't rust or corrode.



Add a Toilet Seat

With a simple touch, Mansfield's newest SmartClose™ toilet seat closes gently and quietly. Or upgrade your toilet with a popular Primo™ toilet seat. Made of durable, high impact, heavy-duty plastic. For all applications - Get More, Get Mansfield®.



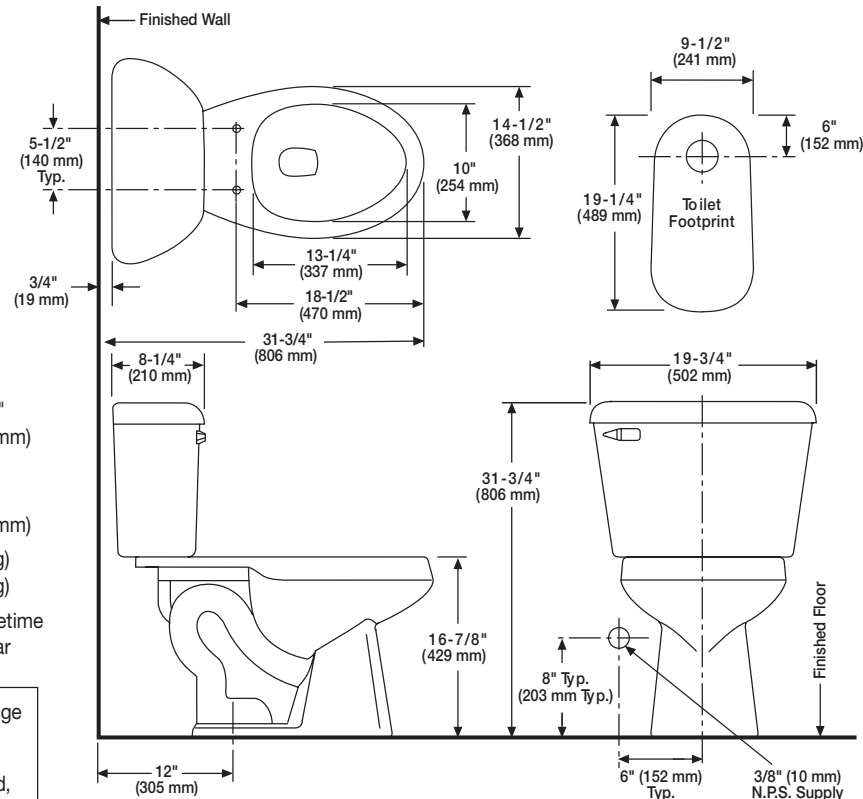
Technical Information

Specifications

Material	Vitreous China
Water Pressure Range	15 to 125 P.S.I.
Flush System	SmartFlush™ Flushing Technology
Water Usage	1.6 Gpf/6.0 Lpf
Water Surface Area	9-1/8" x 10-3/4"
Trap Diameter	2"
Trap Seal	2-5/8"
Rough-in	12" (14" Option)
Shipping Dimensions	Model 137 27-1/2" x 14-3/4" x 17-3/4" (698 mm x 375 mm x 451 mm) Model 160 19-1/4" x 10" x 14-3/4" (502 mm x 254 mm x 375 mm)
Shipping Weight	Model 137 - 51.6 lbs. (23 kg) Model 160 - 34.1 lbs. (15 kg)
Warranty	Vitreous China - Limited Lifetime Tank Trim - Limited One Year

These dimensions are nominal and are subject to change without prior notice.

Fixture performance and specifications meet or exceed, ANSI/ASME A112.19.2M, A112.19.6 standards and CSA B45 standard, and other state and local codes.



NOTE: Rough-in measurements may vary 1/4" (7.1mm ±).



See our complete line of acrylic, vitreous china, cast iron and enameled steel bathroom and kitchen fixtures, plastic tank trim and plumbing products.

Mansfield® Plumbing Products LLC • Sales Services Toll Free 877-850-3060 • Fax 419-938-6234
Website: www.mansfieldplumbing.com • Email: custserv@mansfieldplumbing.com

Form No. M137160 Printed in U.S.A. 7/04
© 2004 Mansfield Plumbing Products LLC