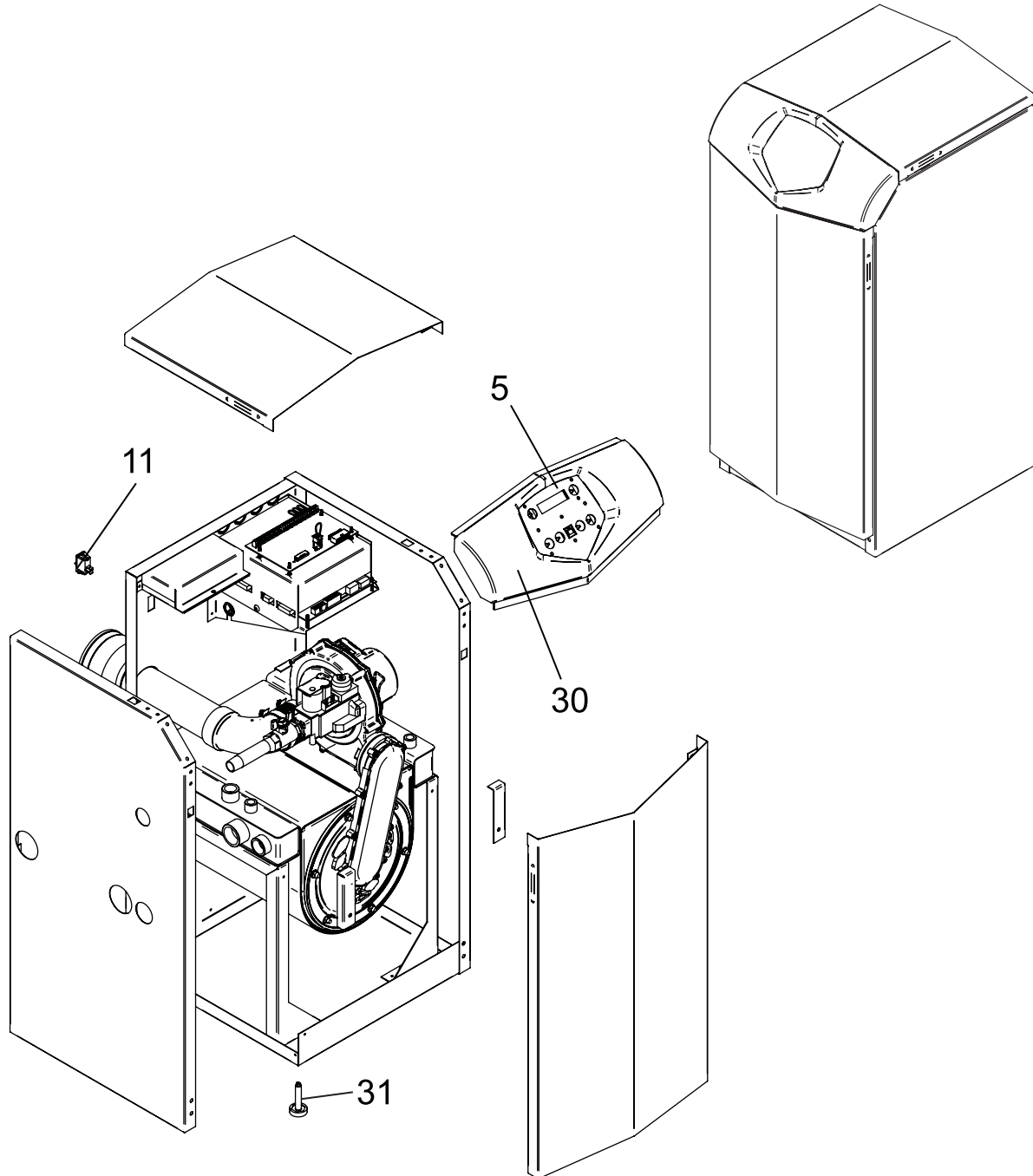




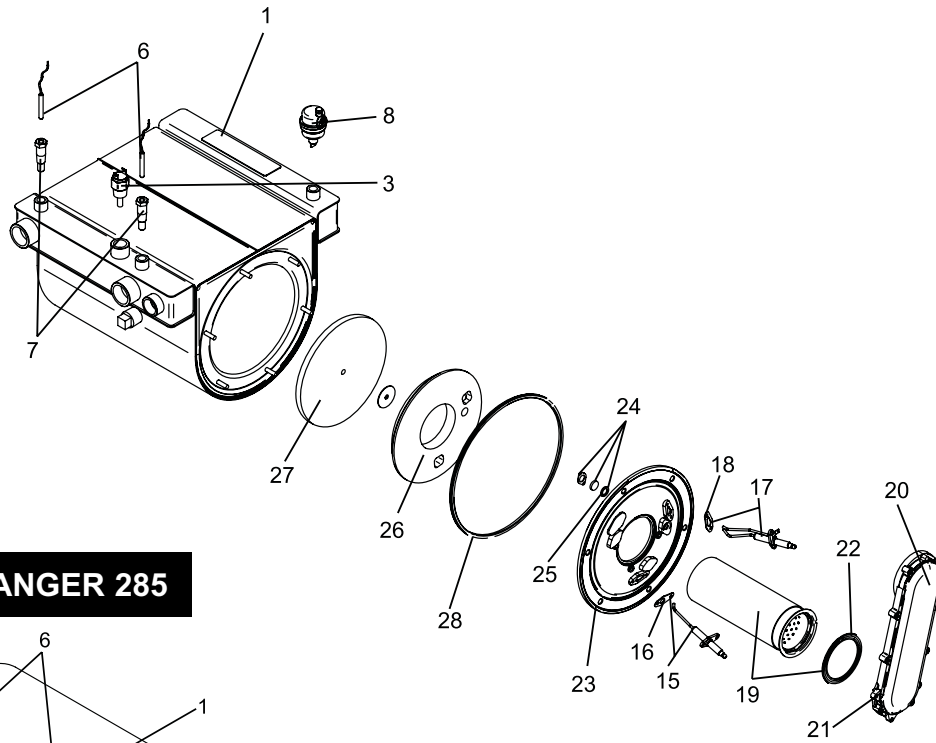
Replacement Parts List

PARTS & SERVICE DEPARTMENT
Nashville, Tennessee
615-889-8900 / Fax: 615-547-1000
www.Lochinvar.com

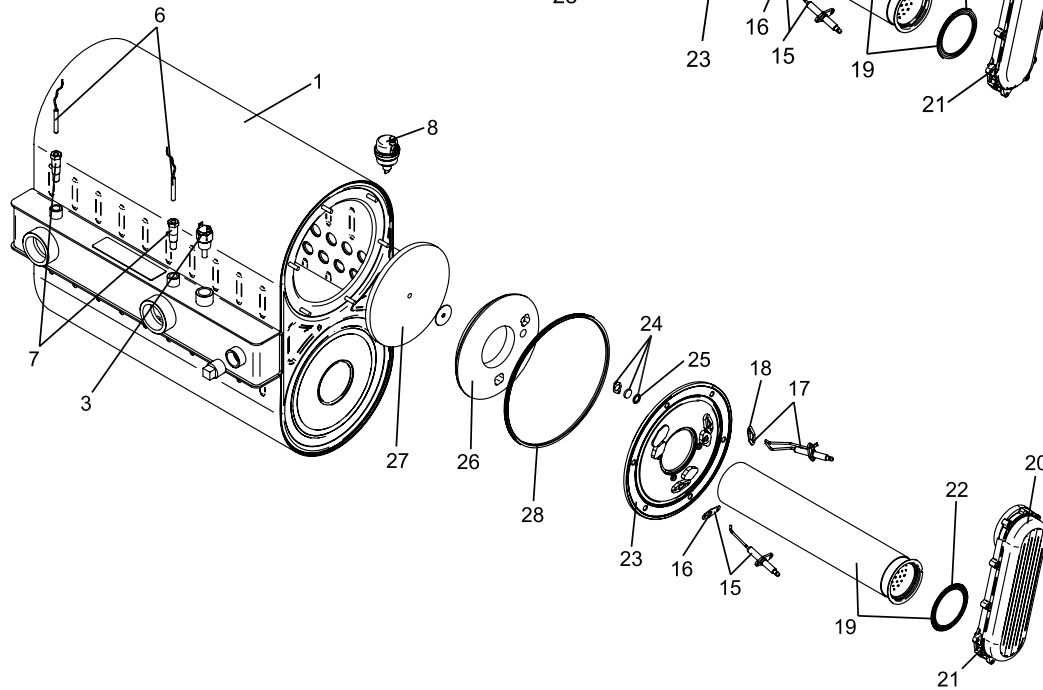
Knight Heating Boilers KB 80 thru 285



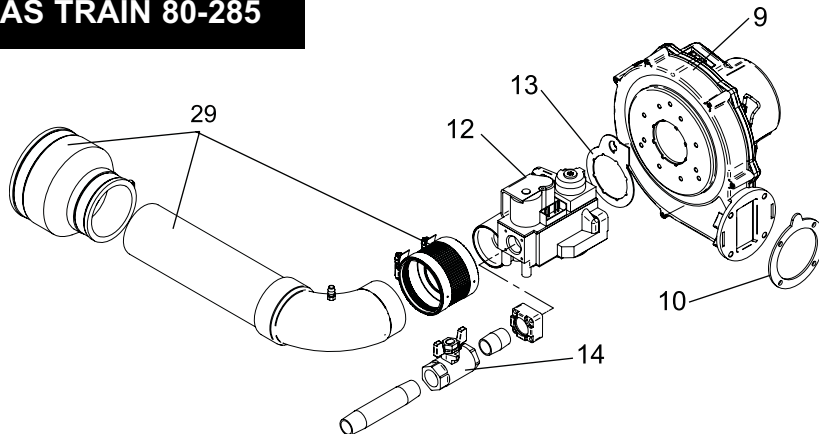
HEAT EXCHANGER 80-210



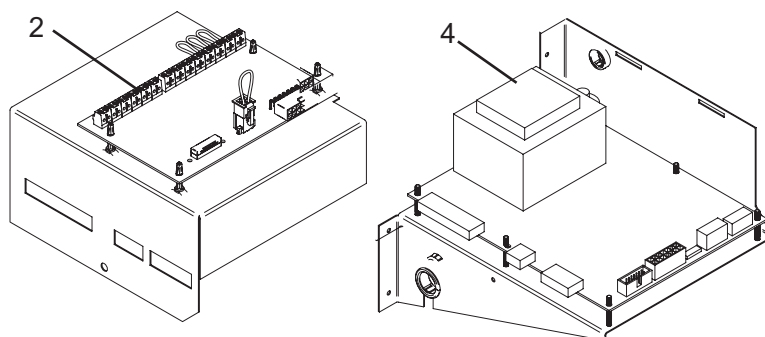
HEAT EXCHANGER 285



GAS TRAIN 80-285



CONTROL PANEL



ITEM NO.	PART NO.	DESCRIPTION	MODEL NO.
HEAT EXCHANGER ASSY			
1	HEX3076	HEAT EXCHANGER	KBN080
1	HEX3077	HEAT EXCHANGER	KBN105
1	HEX3078	HEAT EXCHANGER	KBN150
1	HEX3079	HEAT EXCHANGER	KBN210
1	HEX3080	HEAT EXCHANGER	KBN285
CONTROLS			
2	RLY2202	LOW VOLTAGE CONNECTION BOARD	ALL
3	HLC2510	HIGH ALTITUDE INTEGRATED CONTROL	ALL
4	RLY2200	INTEGRATED CONTROL	KBN80-285
4	RLY3200	HIGH ALTITUDE INTEGRATED CONTROL	KBN80-285
5	RLY2210	USER INTERFACE CONTROL	ALL
6	TST2032	WATER TEMP SENSOR	ALL
7	TST2044	BULB WELL	ALL
8	RLV2023	AIR VENT VALVE	ALL
9	FAN3030	FAN ASSEMBLY	KBN080 & 105
9	FAN3031	FAN ASSEMBLY	KBN150
9	FAN3032	FAN ASSEMBLY	KBN210
9	FAN3033	FAN ASSEMBLY	KBN285
10	GKT2456	GASKET/ BLOWER	KBN080-105-210
10	GKT2436	GASKET/ BLOWER	KBN150-285
11	SWT2006	ON/OFF SWITCH	ALL
GAS VALVES			
12	VAL3205	GAS VALVE ASSEMBLY	KBN080
12	VAL3200	GAS VALVE ASSEMBLY	KBN105
12	VAL3201	GAS VALVE ASSEMBLY	KBN150
12	VAL3202	GAS VALVE ASSEMBLY	KBN210
12	VAL3203	GAS VALVE ASSEMBLY	KBN285
13	GKT2443	GAS VALVE GASKET	KBN080-285
14	VAL2206	GAS CUT OFF VALVE	KBN80-210
14	VAL2421	GAS CUT OFF VALVE	KBN285
PILOT & BURNER ASSEMBLIES			
15	PLT3022	FLAME SENSOR W/GASKET	ALL
16	GKT2450	GASKET, FLAME SENSOR	ALL
17	PLT3021	IGNITER W/GASKET	ALL
18	GKT2449	GASKET, IGNITER	ALL
19	BNR3424	BURNER W/ GASKET	KBN080
19	BNR3425	BURNER W/ GASKET	KBN105
19	BNR3426	BURNER W/ GASKET	KBN150
19	BNR3427	BURNER W/ GASKET	KBN210

PLEASE HAVE SERIAL NUMBER AVAILABLE WHEN ORDERING PARTS

ITEM NO.	PART NO.	DESCRIPTION	MODEL NO.
PILOT & BURNER ASSEMBLIES CONTINUED			
19	BNR3428	BURNER W/ GASKET	KBN285
20	WTR3077	GAS/AIR ARM ASSEMBLY W/GASKET	KB080
20	WTR3081	GAS/AIR ARM ASSEMBLY W/GASKET	KBN105
20	WTR3082	GAS/AIR ARM ASSEMBLY W/GASKET	KBN150
20	WTR3078	GAS/AIR ARM ASSEMBLY W/GASKET	KB210/285
21	GKT2454	GASKET - GAS / AIR ARM ASSEMBLY	ALL
22	GKT2451	GASKET, BURNER	ALL
23	WTR3080	HEAT EXCHANGER ACCESS DOOR KIT	ALL
MISCELLANEOUS			
24	MSC3180	SIGHT GLASS	ALL
25	GKT2453	GASKET/ SIGHT GLASS	ALL
26	FIB2168	BURNER PLATE, INSULATION, DOOR	ALL
27	FIB2167	DIVIDER PLATE, INSULATION BAFFLE	ALL
28	GKT2455	GASKET DOOR RUBBER	ALL
29	MSC3181	AIR INLET KIT	KBN080-105
29	MSC3182	AIR INLET KIT	KBN150
29	MSC3183	AIR INLET KIT	KBN210
29	MSC3184	AIR INLET KIT	KBN285
30	MSC2177	DISPLAY BEZEL	ALL
31	BLT2104	LEVELING LET	ALL
	RLV2005	RELIEF VALVE 30 PSI	ALL
	FUS2000	1.25 AMP	ALL
	FUS2001	3.15 AMP	ALL
	FUS2002	5 AMP	ALL
	WTR2040	FLOW SWITCH	ALL
	MSC2514	HIGH VOLTAGE CONNECTION BOARD	ALL
	TST2311	OUTDOOR AIR SENSOR	ALL
	MSC2971	CONDENSATE TRAP	KBN080-210
	MSC2973	CONDENSATE TRAP	KBN285
	SWT2011	BLOCKED DRAIN SWITCH	ALL
	GTP2900	GAUGE TRIOMETER, 75# PSI	ALL
	TST3403	FLUE TEMP SENSOR KIT	ALL
	KIT3086	AMRHL	ALL
	KIT3057	MRLWCO WITH TEST	ALL
	KIT3085	ALARM BELL	ALL
	KIT3078	SYSTEM SENSOR	ALL
	KIT3087	NEUTRALIZER KIT	ALL
	LPK3944	LP CONVERSION KIT	KBN080
	LPK3945	LP CONVERSION KIT	KBN105
	LPK3946	LP CONVERSION KIT	KBN150
	LPK3947	LP CONVERSION KIT	KBN210
	LPK3948	LP CONVERSION KIT	KBN285
PUMPS			
	PUM3020	PUMP	KBN080-210
	PUM3021	PUMP	KBN285

PLEASE HAVE SERIAL NUMBER AVAILABLE WHEN ORDERING PARTS